



Product Data Sheet

DC101

Surface mount contact wired

DC101-Series

The DC101-Series surface mount magnetic contacts are designed for use in installations where a small, sealed unit is required. The reed switch is totally encapsulated in an exclusive polyurethane potting compound preventing moisture from entering the switch and causing false alarms.

Easy installation

The 16 mm standard gap distance allows for fast, easy installation and prevents false alarms from loose fitting doors. Recessed mounting holes make for clean-looking installations.

High Quality components and materials

Reed legs are plated with rhodium or ruthenium, and hermetically sealed in dry nitrogen. This offers superior protection against sticking and provides a moisture free environment therefore preventing corrosion.



Standard Features

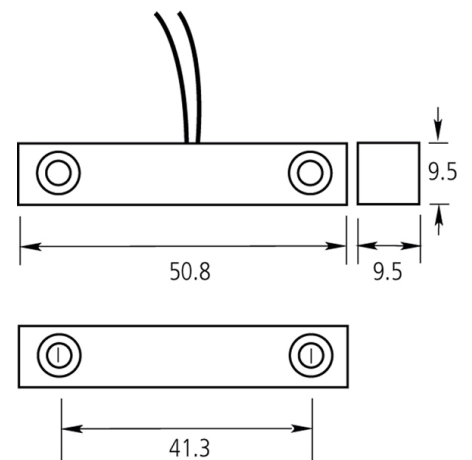
- Convenient surface mounting
- Standard 2 m wire length
- Tamper loop provided
- Neat and tidy design

DC101

Surface mount contact wired

Specifications

Operating gap	15 mm (max.)
Connections	4 wires, 2 m
Contact type	NC
Dimensions (W x H x D)	51 x 9 x 9 mm
Colour	White



Ordering Information

Part No.	Description
DC101	Surface mount contact wired
DC101B	Surface mount contact wired - brown
DC101R4.7	Surface mount contact wired with 4.7K resistor
DC101S60	Surface mount contact wired - 6m cable
DC101BS60	Surface mount contact wired - brown - 6m Cable
DC103	Surface mount contact wired - biased
DC103R4.7	Surface mount contact wired - biased with 4.7K Resistor
DC103S60	Surface mount contact wired - biased - 6m cable
DC1901	Empty shell for DC101, DC103, DC105
DC1906	Spacer for DC101, DC103, DC105
DC1906B	Spacer for DC101, DC103, DC105 - brown

